

## Genie® High Velocity Probe™ Installation Instructions



### Manufacturing Contact Information

**A+ Corporation, LLC** *Call for expert product application assistance:*  
41041 Black Bayou Rd. Phone: (225)-644-5255 Website: [www.geniefilters.com](http://www.geniefilters.com)  
Gonzales, LA 70737 Fax: (225)-644-3975 E-mail: [sales@geniefilters.com](mailto:sales@geniefilters.com)

### Safety Warnings

- ⚠ Failure to abide by any of the safety warnings below will result in release of fluid at full pipeline pressure and could result in serious injury or death.
  - ▶ The pipeline must be COMPLETELY DEPRESSURIZED before installation.
  - ▶ A valve must be installed on the sample stream, downstream of the GPHV™ and the valve must be CLOSED BEFORE the line can be re-pressurized.
  - ▶ Do not exceed any equipment pressure ratings.
  - ▶ Not designed for external fire.
  - ▶ Prior to use in a system, a properly sized relief device is to be installed which limits the use to 110% of the MAWP.

### Tools Required

- ▶ Two adjustable end wrenches that open a minimum of 3/4".

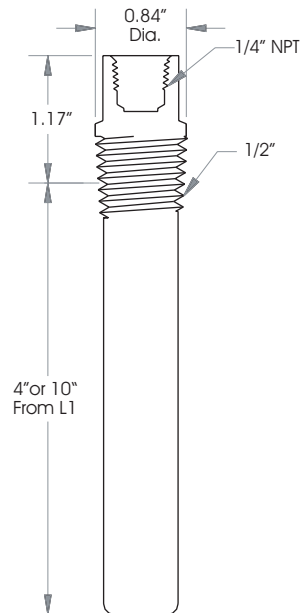
## Technical Specifications

### Technical Specifications

<b>Maximum Pressure Rating</b>	4,500 psig (310.3 barg)
<b>Maximum Temperature</b>	300 °F (149 °C)
<b>Maximum Velocity</b>	4" probe: >100 ft/sec 10" probe: 56 ft/sec
<b>Internal Volume</b>	4" probe: 3.62 cc 10" probe: 8.44 cc
<b>Port Size</b>	Outlet: 1/4" female NPT
<b>Process Connection Requirement</b>	1/2" male NPT
<b>Thread-o-let Requirement</b>	1/2" female NPT The inner diameter of all openings in pipe wall and thread-o-let must not be less than 0.690"
<b>Wetted Materials</b>	Machined parts: 316/316L stainless steel / NACE compliant All other metal parts: stainless steel / NACE compliant

## Dimensions

### Side View



## Prior to Installation

### Step 1. Depressurize the pipeline

- ▶ Completely depressurize the pipeline. Failure to depressurize the pipeline will result in release of fluid at full pipeline pressure and could result in serious injury or death.
- ▶ Apply thread sealant to the **male thread area** of the **GPHV™** housing.

## Pipeline Installation

### Step 1. Install the GPHV™

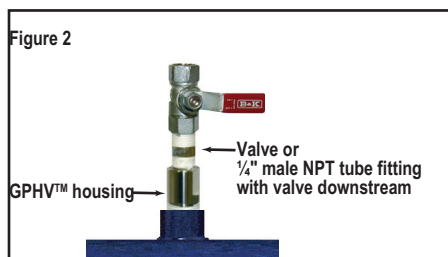
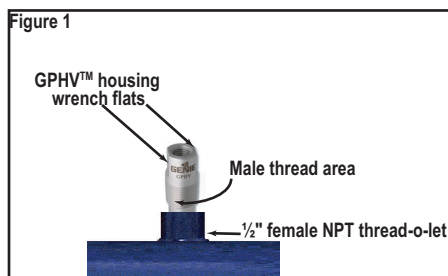
- ▶ Insert the **GPHV™** housing into the depressurized pipeline thru a **½" female NPT thread-o-let** (thread-o-let minimum ID = 0.69").
- ▶ Using a wrench on the **wrench flats**, turn the **GPHV™** housing clockwise until it is secure and sealed. This will require approximately 3-5 turns. **DO NOT OVER TIGHTEN!** Over tightening may damage the swages of the housing.

### Step 2. Install release valve downstream of GPHV™

- ▶ The **GPHV™** can be connected either directly to a valve or to a tube fitting with a valve downstream. Use a backup wrench on the wrench flats of the **GPHV™** to hold the **GPHV™** in place during valve or tube fitting installation; otherwise, over tightening of the **GPHV™** in the pipeline thread-o-let could result in damage to the **GPHV™** housing.
- ▶ Install a valve on the sample stream, downstream of the **GPHV™** outlet before the line is re-pressurized. Failure to install and close the valve will result in release of fluid at full line pressure when the pipeline is pressurized.

## Analytical Equipment Connection

- ▶ Install the analytical equipment downstream of the valve. The path between the **GPHV™** and analytical equipment should be as short as possible to minimize the opportunity for condensation.
- ▶ Once all the connections are secure AND the valve is **CLOSED**, the pipeline can be repressurized.



## Model Numbering & Additional Part Numbers

### Model Numbering & Additional Part Numbers

Your model number is determined by your specific needs. Choose options below.

**Process connection**

0 = 1/2" NPT

**Probe housing length**

Blank = 4" insertion length

10 = 10" insertion length

**How to build the model number:**

